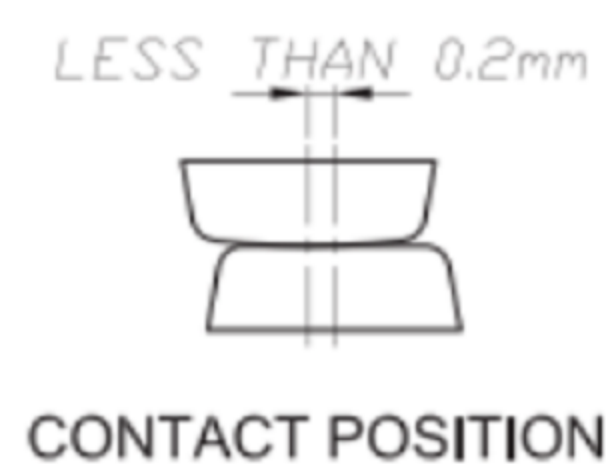
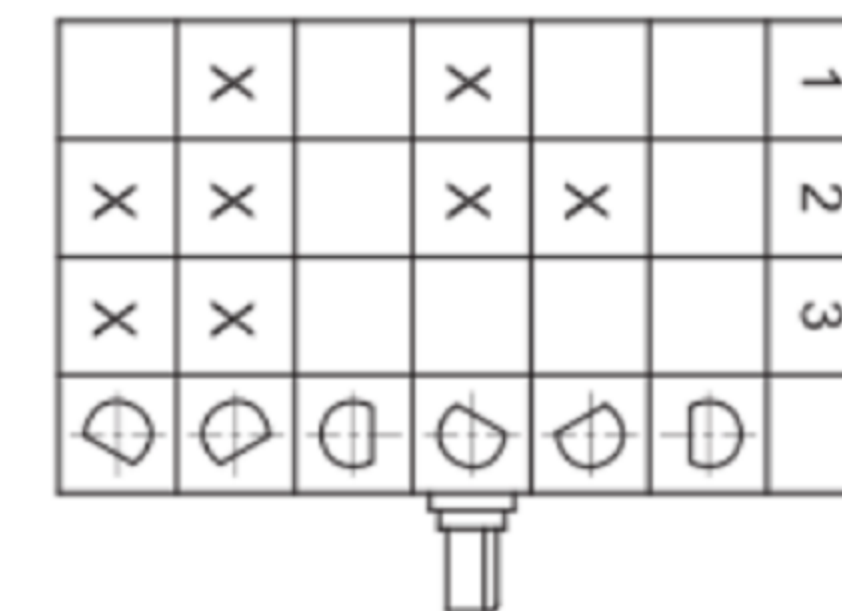


1POLE 6 POSITIONS  
FUNCTION 1



**SPECIFICATION 規格:**

**Rating 額定:**

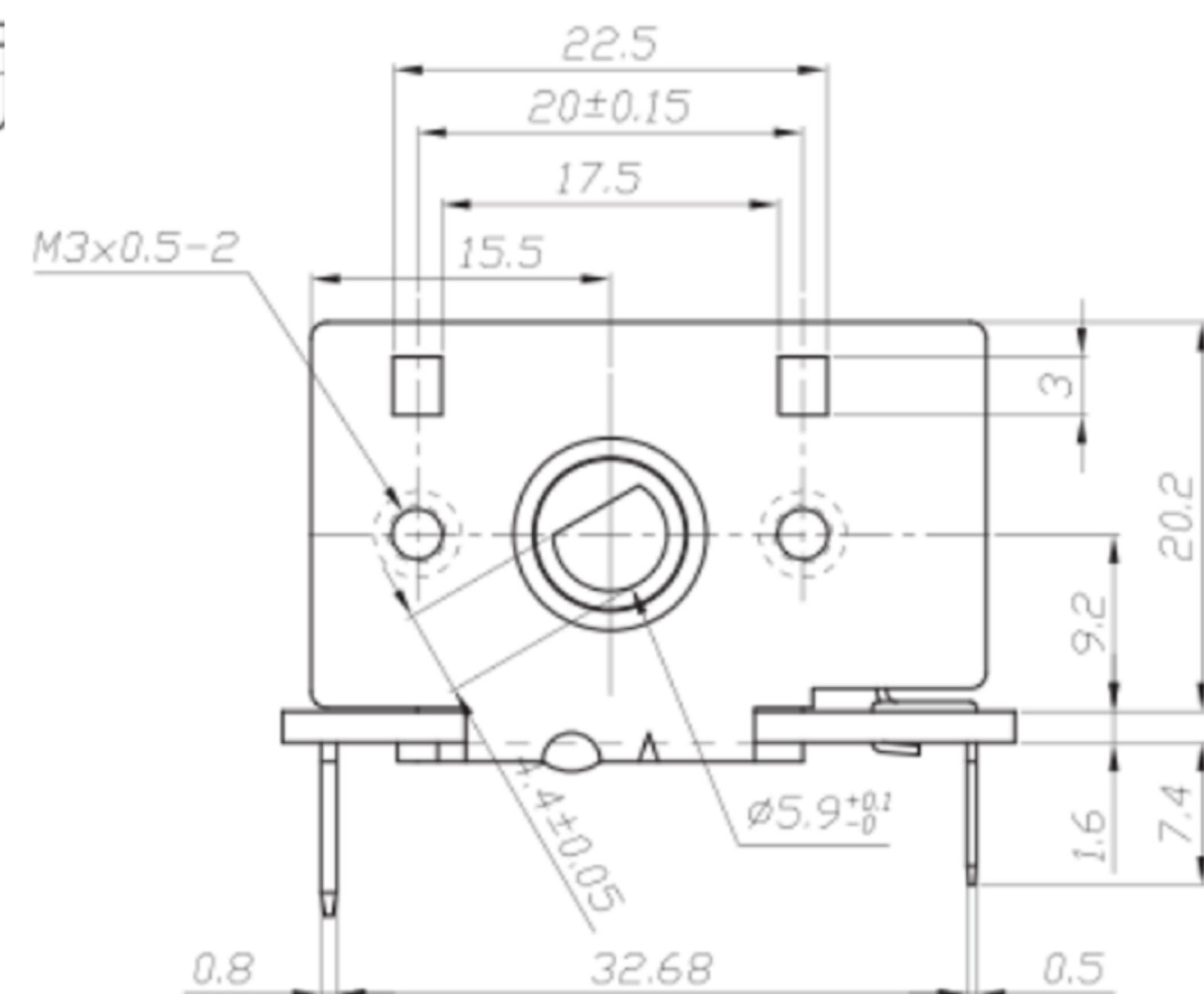
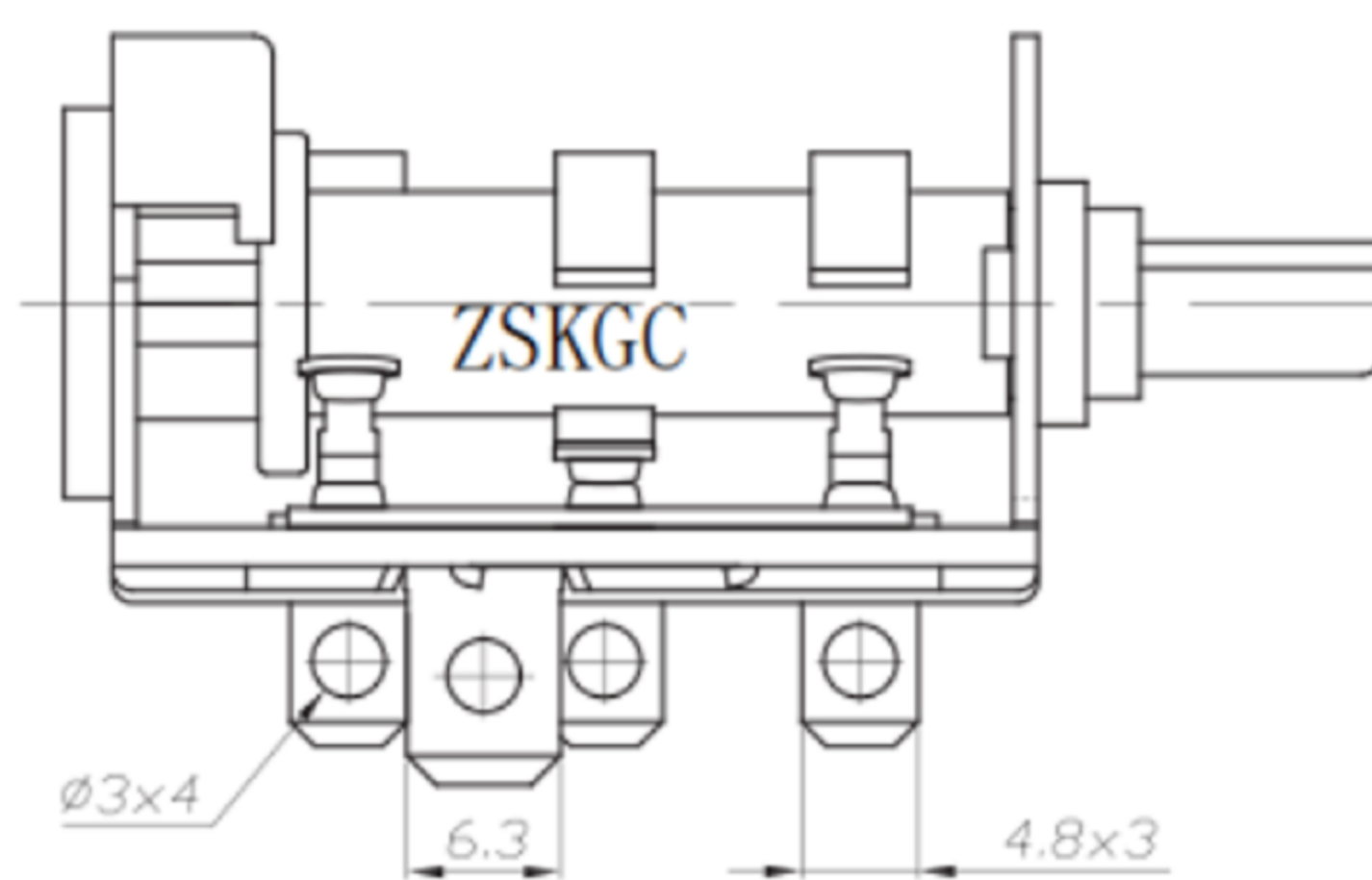
- 16A 125VAC (CQC)
- 12A 250VAC (CQC)

**Electrical (電氣性能)**

- (接觸電阻) INITIAL CONTACT RESISTANCE: 50mΩ Max
- (操作力量) OPERATION FORCE: 750-1500gf
- (絕緣電阻) INSULATION RESISTANCE: 100MΩ Min 500VDC
- (耐電壓) WITHSTAND VOLTAGE: 1500VAC FOR 1 MINUTE
- (電氣壽命) ENDURANCE: 10,000 CYCLES

**Material (材質)**

- (柄) ACTUATOR: PA66+30%GF/PBT+30%GF (UL 94V-0)
- (電木板) BASE: PHENOLIC LAMINATE (UL 94V-0)
- (鐵殼) BRACKET: SPCC ZINC PLATED
- (端子) TERMINAL: COPPER ALLOY
- (接點) CONTACT: SILVER ALLOY



**東莞市高迪電子有限公司**  
DONG GUAN GAO DI ELECTRONICS CO., LTD

TOLERANCE UNLESS OTHERWISE STATED:	Up to 5 ±0.2	Above 5 ~ 15 ±0.3	Above 15 ~ 30 ±0.4	Above 30 ~ 50 ±0.5	Angle ±0.3°	3RD. ANGEL'S		UNITS	MM
------------------------------------	--------------	-------------------	--------------------	--------------------	-------------	--------------	--	-------	----

DRAWN BY:	DATE
Ming Ming Zou	10/31/13
CHECKED BY:	DATE
Ning Ning Su	10/31/13
APPROVED BY:	DATE
Jia Xiang	10/31/13

MAT'L		TITLE	SWITCH
FINISH		MODLE	MICRO SWITCH
SCALE	1:1	DWG NO.	GD-HR31-M61A-1PS
SHEET NO.	1 of 1	PART NO.	
			SIZE A4
			VER R

ITEM NO.	DESCRIPTION	DRAWN	DATE